

Motion detector - Professional Line

# IS 345

COM1 - in-ceiling installation, sq

EAN 4007841 079673

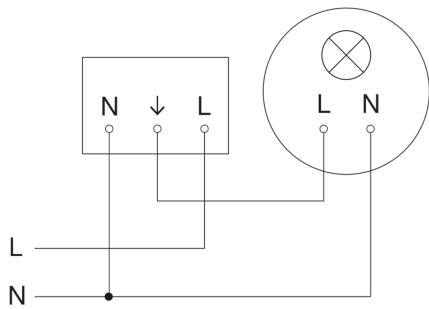
Article number 079673



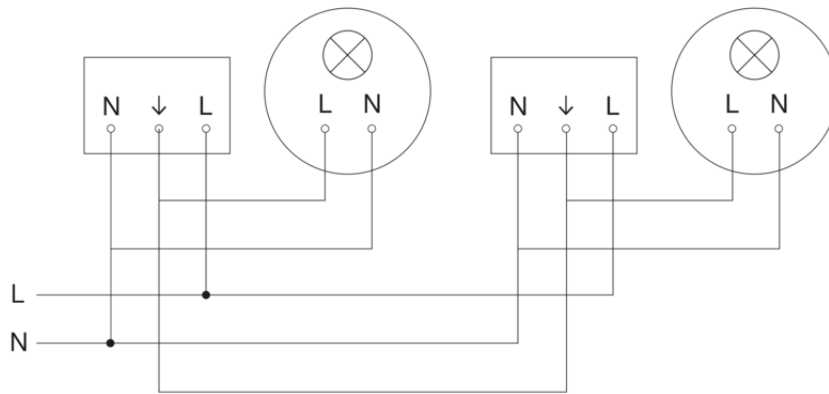
# IS 345

COM1 - in-ceiling installation, sq  
EAN 4007841 079673  
Article number 079673

## Master circuit diagram



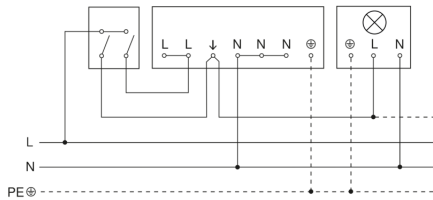
## Circuit diagram for interconnecting several sensors



# IS 345

COM1 - in-ceiling installation, sq  
EAN 4007841 079673  
Article number 079673

## Connection using two-circuit switch for manual and automatic operation



## Circuit diagram Connection via a changeover switch for continuous and automatic operation

